

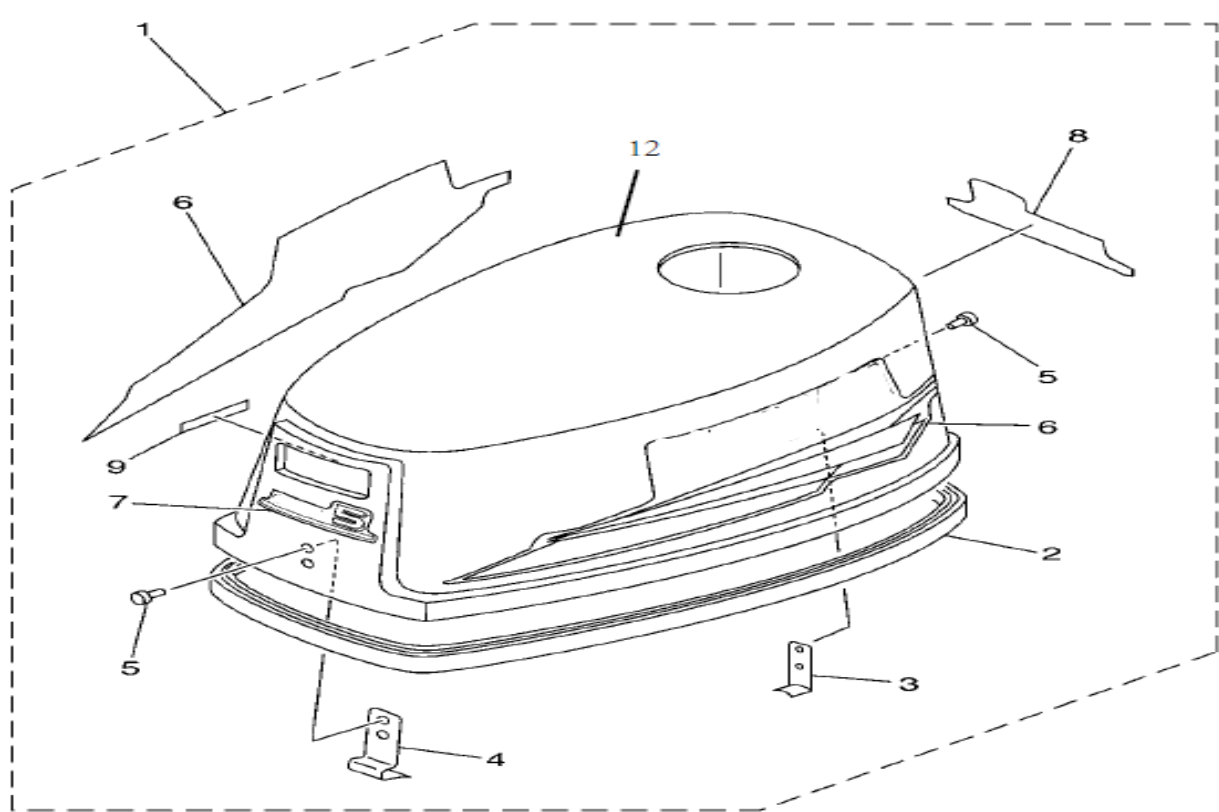
## Лодочный мотор Sea Pro T 5

заказ запчастей на [www.riverplanet.ru](http://www.riverplanet.ru)

1	<u>TOP COWLING</u>
2	<u>CYLINDER, CRANKCASE &amp; CRAKSHAFT</u>
3	<u>INTAKE &amp; CARBURETOR</u>
4	<u>STARTER</u>
5	<u>GENERATOR</u>
6	<u>ELECTRICAL SYSTEM</u>
7	<u>BOTTOM COWLING</u>
8	<u>CONTROL</u>
9	<u>UPPER CASING &amp; BRACKET</u>
10	<u>LOWER CASING &amp; DRIVE</u>

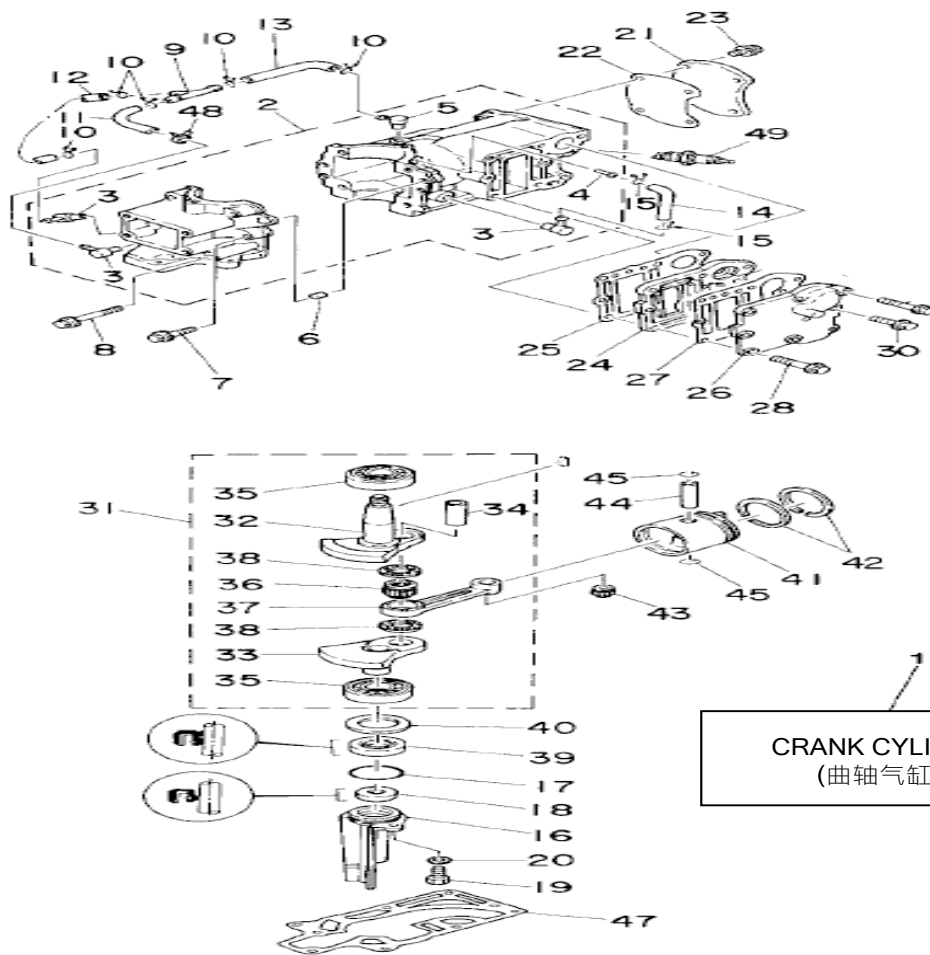


## Top cowling ( Капот )



REF NO	Артикул	Наименование	Кол-во в комплекте, шт
1	5MHS-01001	TOP COWLING ASSY 5 PTO	
2	5MHS-01002	SEAL	
3	15FMH-01005	HOLDER, CLAMP BAND	
4	15FMH-01003	HOOK	
5	15FMH-01004-1	RIVET	
6	5MHS-01006	GRAPHIC, SIDES	
7	5MHS-01007	GRAPHIC, FRONT	
8	5MHS-01008	GRAPHIC, REAR	
9	15FMH-11030	INDICATOR, SHIFT	
12	5MHS-01012	TOP COWLING CASTING	

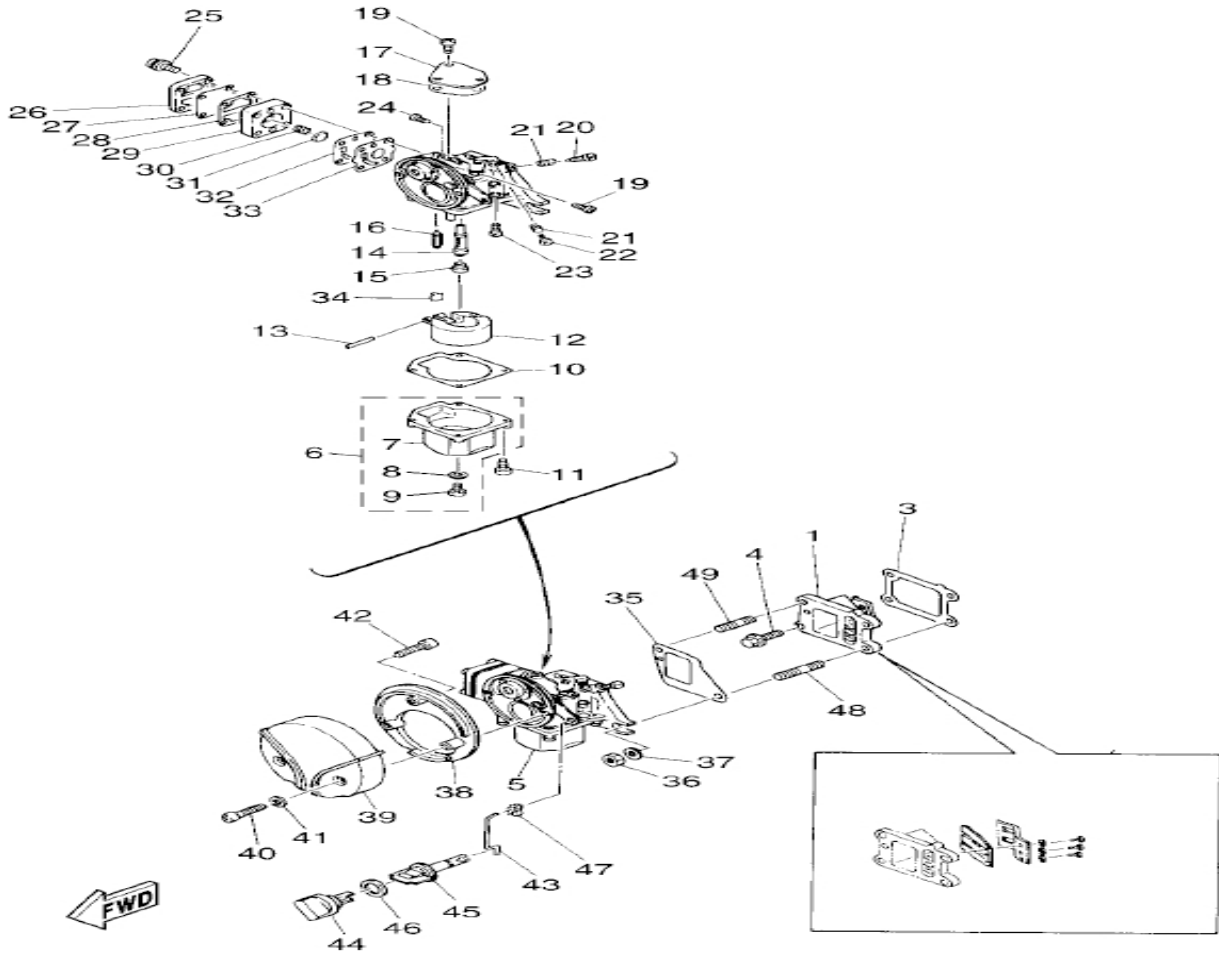
# CYLINDER, CRANKCASE & CRAKSHAFT



REF NO	Артикул	Наименование	Кол-во в комплекте, шт
1	5MHS-02001	CRANK CYLINDER ASSY	
2	5MHS-02002	CRANKCASE ASSY	
3	PNFM40E-04004	CHECK VALVE ASSY	
4	15FMH-02004	PIPE, JOINT	
5	PNFM40E-02003	NIPPLE, HOSE	
6	15FMH-02011	PIN, DOWEL	
7	5MHS-02007	BOLT, FLANGE	
8	5MHS-02008	BOLT, FLANGE	
9	5MHS-02009	PIPE, JOINT 4	
10	15FMH-02008	CLIP	
11	5MHS-02011	HOSE (L100)	
12	5MHS-02012	HOSE (L70)	
13	5MHS-02013	HOSE (L120)	
14	5MHS-02012	HOSE (L70)	
15	15FMH-02008	CLIP	
16	5MHS-02016	HOUSING, OIL SEAL	
17	5MHS-02017	O-RING	
18	5MHS-02018	OIL SEAL	

19	15FMH-01008	BOLT, WITH WASHER	
20	5MHS-02020	WASHER	
21	5MHS-02021	COVER, CYLINDER HEAD 1	
22	5MHS-02022	GASKET, HEAD COVER 1	
23	5MHS-02023	BOLT, FLANGE	
24	5MHS-02024	INNER COVER, EXHAUST	
25	5MHS-02025	GASKET, EXHAUST INNER COVER	
26	5MHS-02026	OUTER COVER, EXHAUST	
27	5MHS-02027	GASKET, EXHAUST OUTER COVER	
28	5MHS-02028	BOLT, FLANGE	
30	5MHS-02023	BOLT, FLANGE	
31	5MHS-02031	CRANKSHAFT ASSY	
39	5MHS-02039	OIL SEAL	
40	5MHS-02040	WASHER, PLATE	
41	5MHS-02041	PISTON (STD)	
42	5MHS-02042	PISTON RING SET (STD)	
43	5MHS-02043	BEARING	
44	5MHS-02044	PIN, PISTON	
45	5MHS-02045	CIRCLIP	
47	5MHS-02047	GASKET, UPPER CASING	
48	15FMH-02008	CLIP	
49	PNFM40E-02036	PLUG, SPARK (NGK B7HS)	

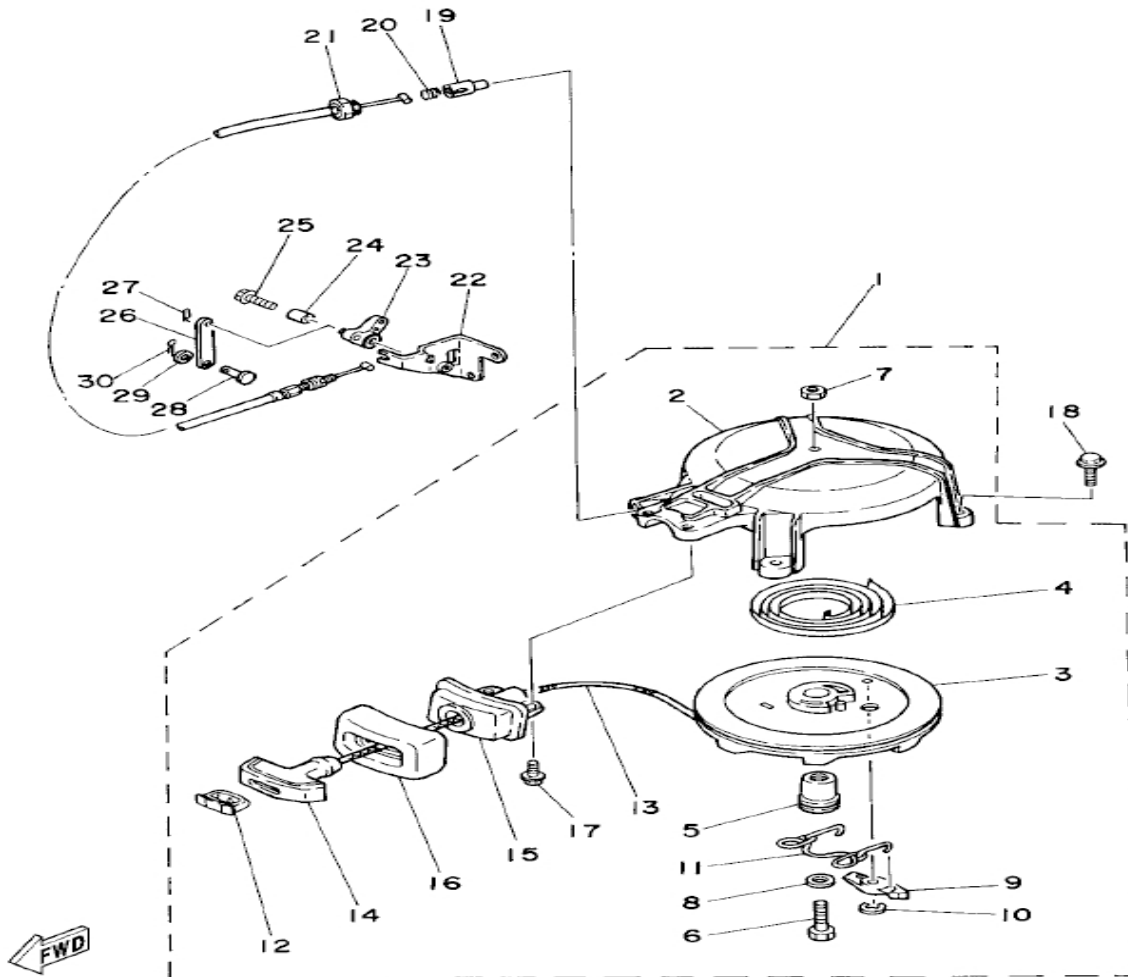
## INTAKE & CARBURETOR



REF NO	Артикул	Наименование	Кол-во в комплекте, шт
1	5MHS-03001	REED VALVE ASSY	
1	5MHS-03001	REED VALVE ASSY	
1	5MHS-03001	REED VALVE ASSY	
3	5MHS-03003	GASKET, VALVE SEAT	
4	5MHS-02023	BOLT, FLANGE	
5	5MHS-03005	CARBURETOR ASSY 1	
35	5MHS-03035	GASKET	
36	15FMH-12033	NUT	
37	5MHS-02020	WASHER	
38	5MHS-03038	COVER 1	
39	5MHS-03039	COVER 2	
40	5MHS-03040	SCREW, PAN HEAD	
41	5MHS-03041	WASHER, PLATE	
42	5MHS-03042	SCREW, TAPPING	
43	5MHS-03043	ROD, CHOKE 1	
44	5MHS-03044	KNOB, CHOKE	
45	5MHS-03045	KNOB, CHOKE	
46	5MHS-03046	WASHER, PLATE	

47	15FMH-12040	JOINT, CHOKE LEVER	
48	5MHS-03048	BOLT, STUD	
49	5MHS-03049	BOLT, STUD	

## Starter (Стартер)

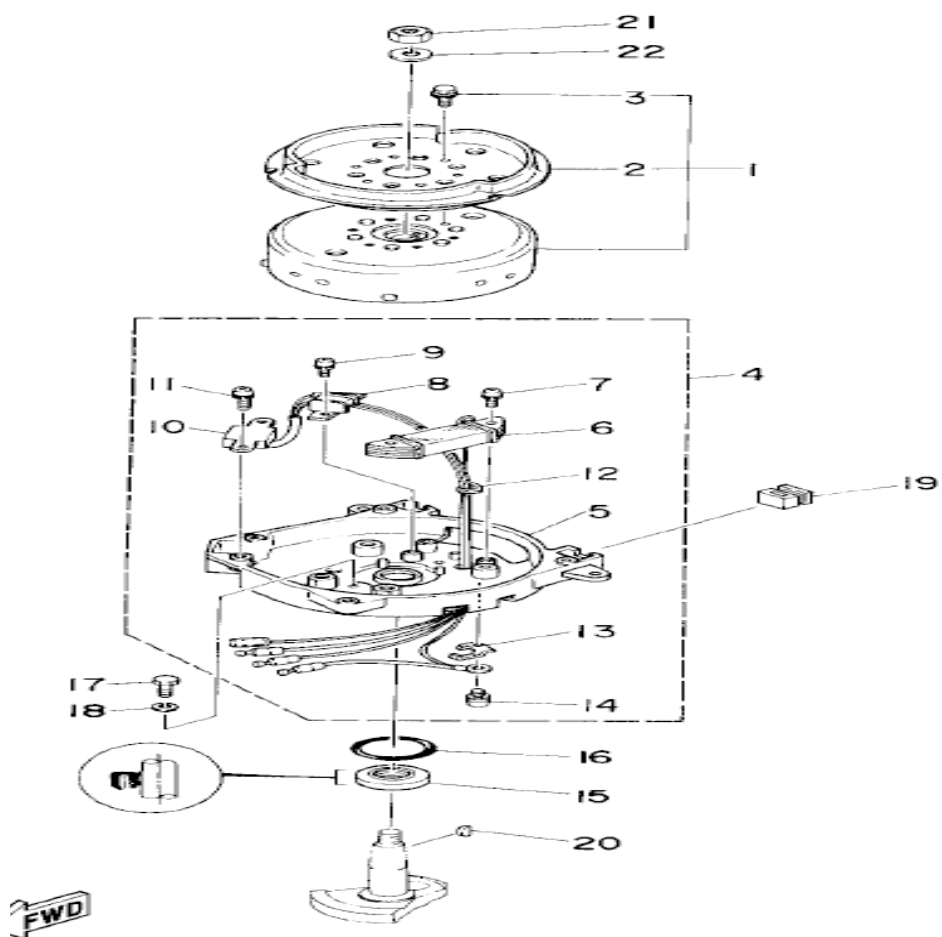


REF NO	Артикул	Наименование	Кол-во в комплекте, шт
1	5MHS-04001	STARTER ASSY	
2	5MHS-04002	CASE, STARTER	
3	5MHS-04003	DRUM, SHEAVE	
4	5MHS-04004	SPRING, SPIRAL	
5	5MHS-04005	SHAFT, STARTER	
6	15FMH-08009	BOLT	
7	15FMH-10014	NUT	
9	5MHS-04009	PAWL, DRIVE	
10	5MHS-11038	CIRCLIP	
11	5MHS-04011	SPRING, DRIVE PAWL	
12	15FMH-07020	COVER	
13	5MHS-04013	WIRE, STARTER (L:1850mm)	
14	15FMH-07018	HANDLE, STARTER	
15	5MHS-04015	GUIDE, ROPE	
16	5MHS-04016	SEAL, RUBBER 1	
17	5MHS-02023	BOLT FLANGE	
18	15FMH-14004	BOLT, FLANGE	
19	5MHS-04019	PLUNGER, STARTER STOP	

20	5MHS-04020	SPRING, COMPRESSION	
21	5MHS-04021	CABLE COMP., STARTER STOP	
22	5MHS-04022	STAY 2	
23	5MHS-04023	ARM	
24	5MHS-04024	COLLAR	
25	5MHS-04025	BOLT, WITH WASHER	
26	5MHS-04026	LINK	
27	15FMH-12013	CLIP	
28	5MHS-04028	PIN, CLEVIS	
29	5MHS-04029	WASHER, PLATE	
30	15FMH-11012	PIN, COTTER	



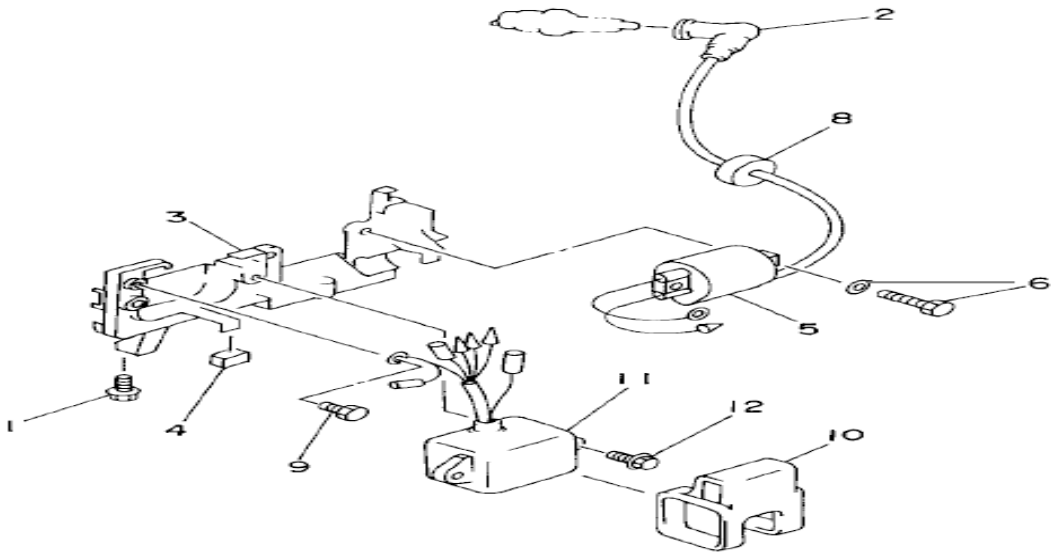
# GENERATOR



REF NO	Артикул	Наименование	Кол-во в комплекте, шт
1	5MHS-05001	ROTOR ASSY	
2	5MHS-05002	PULLEY, STARTER	
3	5MHS-02023	BOLT FLANGE	
4	5MHS-05004	BASE ASSY	
5	5MHS-05005	HOUSING, OIL SEAL	
6	5MHS-05006	COIL, CHARGE	
7	5MHS-05007	SCREW, WITH WASHER	
8	5MHS-05008	COIL, PULSER	
9	5MHS-05009	SCREW, WITH WASHER	
10	5MHS-05010	PULSER COIL ASSY	
11	5MHS-05011	SCREW, WITH WASHER	
12	5MHS-05012	GROMMET	
13	3MHS-08007	CLAMP	
14	5MHS-05014	SCREW, WITH WASHER	
15	5MHS-05015	OIL SEAL	
16	5MHS-05016	O-RING	
17	5MHS-05017	BOLT	
18	5MHS-05018	WASHER, SPRING	

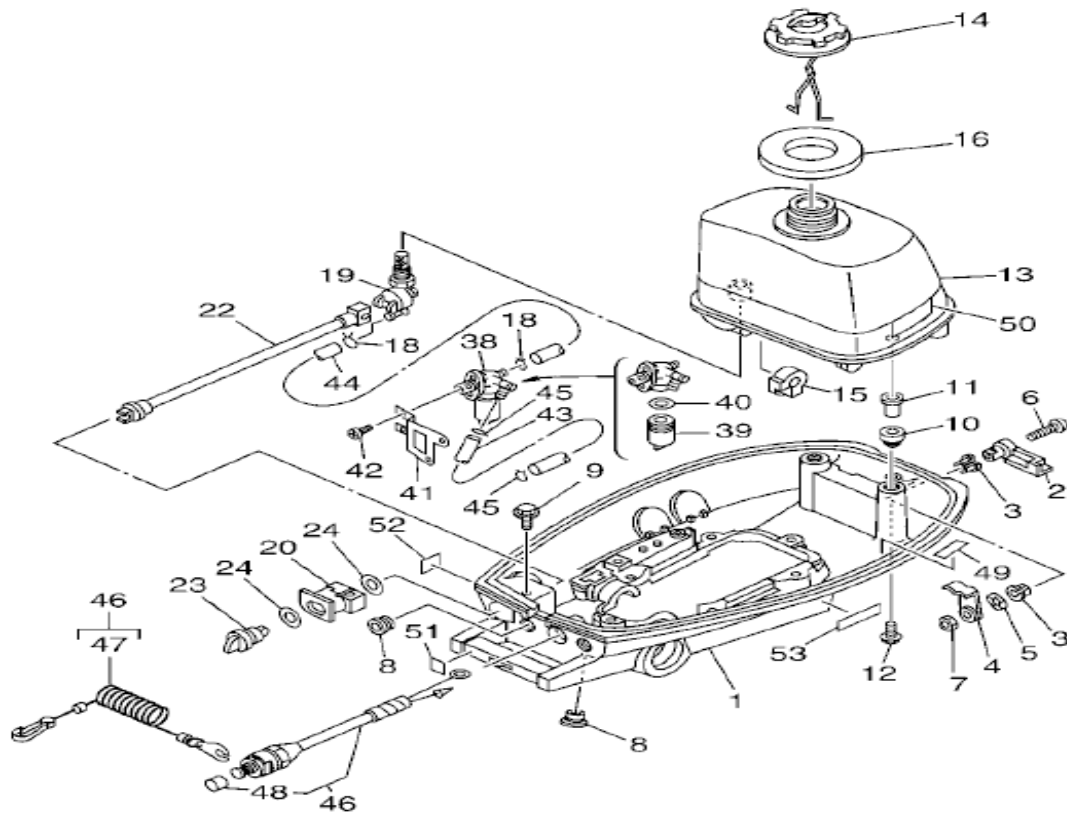
19	5MHS-05019	DAMPER, LOCATING 3	
20	5MHS-05020	KEY, WOODRUFF	
21	5MHS-05021	NUT	
22	5MHS-05022	WASHER, PLATE	

# ELECTRICAL SYSTEM



REF NO	Артикул	Наименование	Кол-во в комплекте, шт
1	5MHS-02023	BOLT, FLANGE	
2	5MHS-06002	PLUG CAP ASSY	
3	5MHS-06003	BRACKET, IGNITION COIL	
4	5MHS-06004	DAMPER, IGNITION COIL	
5	5MHS-06005	IGNITION COIL ASSY	
6	15FMH-01008	BOLT	
8	5MHS-06008	GROMMET	
9	15FMH-06018	BOLT	
10	5MHS-06010	HOLDER	
11	5MHS-06011	C.D.I. UNIT ASSY	
12	15FMH-14004	BOLT, FLANGE	

# BOTTOM COWLING



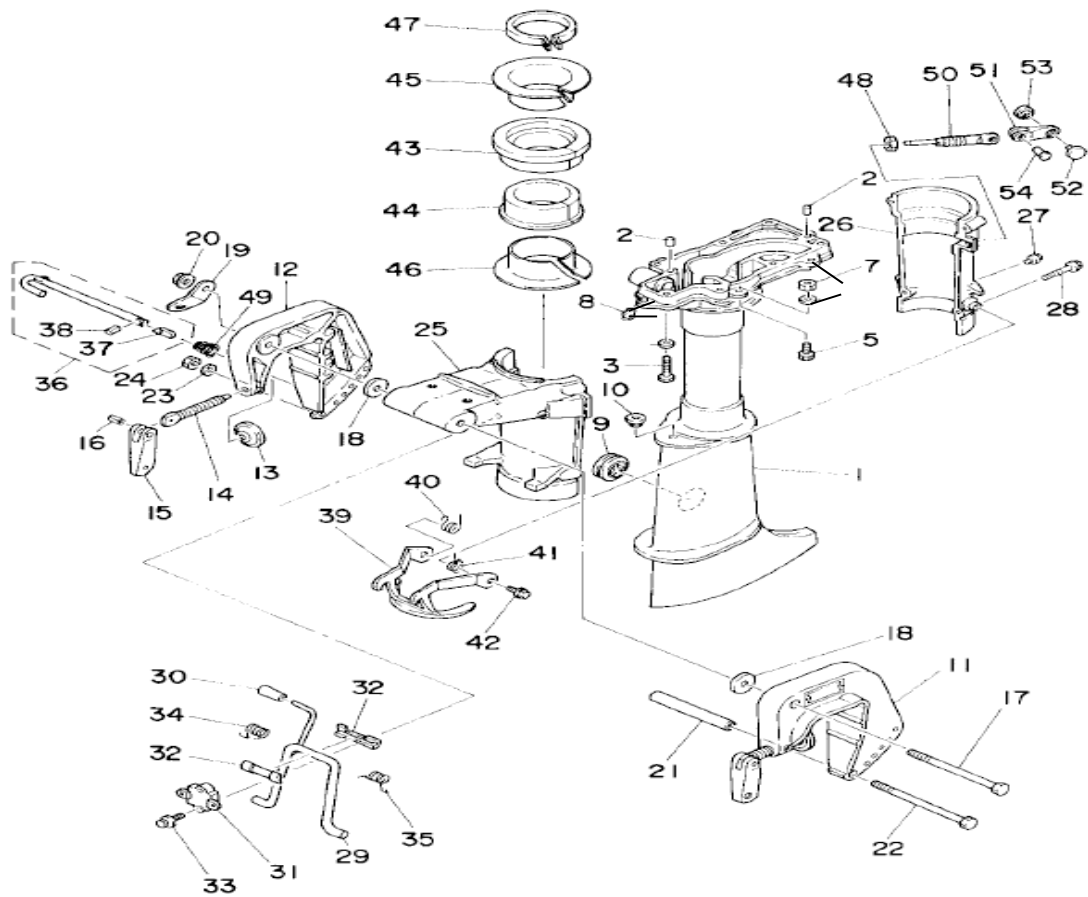
REF NO	Артикул	Наименование	Кол-во в комплекте, шт
1	5MHS-07001	COWLING, BOTTOM 1	
2	5MHS-07002	LEVER, CLAMP	
3	5MHS-07003	BUSH	
4	5MHS-07004	LEVER, CLAMP	
5	15FMH-10011	WASHER, WAVE	
6	15FMH-12006	SCREW, PAN HEAD	
7	15FMH-10014	NUT	
8	5MHS-07008	GROMMET	
9	15FMH-14004	BOLT, FLANGE	
10	5MHS-07010	DAMPER, LOCATING 2	
11	5MHS-07011	PIPE	
12	5MHS-02028	BOLT, FLANGE	
13	5MHS-07013	FUEL TANK COMP	
14	5MHS-07014	CAP ASSY	
15	5MHS-07015	DAMPER, LOCATING 1	
16	5MHS-07016	GASKET, CAP 1	
18	15FMH-06016	CLIP	
19	5MHS-07019	FUEL COCK ASSY 1	

20	5MHS-07020	BUSHING	
22	5MHS-07022	SHAFT, FUEL CHANGE	
23	5MHS-07023	LEVER, FUEL CHANGE	
24	5MHS-07024	WASHER, PLATE	
38	5MHS-07038	FUEL COCK ASSY 1	
39	5MHS-07039	CUP, FILTER	
40	5MHS-07040	GASKET	
41	5MHS-07041	BRACKET, FILTER	
42	5MHS-07042	SCREW, PAN HEAD	
43	5MHS-07043	HOSE (L120)	
44	5MHS-07044	HOSE (L150)	
45	15FMH-06016	CLIP	
46	5MHS-07046	ENGINE STOP SWITCH ASSY	
47	15FMH-11035	LANYARD, STOP SWITCH	
48	15FMH-11036	CAP	
49	5MHS-07049	MARK 1	
50	15FMH-07028	MARK 5	
*	15FMH-06001	FUEL PIPE JOINT COMP. 1	



20	15FMH-11015	RIVET	
21	5MHS-09021	LEVER, THROTTLE	
22	15FMH-11023	STAY	
23	5MHS-09011	SCREW, PAN HEAD	
24	5MHS-09024	THROTTLE CABLE ASSY	
25	5MHS-09025	HANDLE, GEAR SHIFT	
26	5MHS-09026	O-RING	
27	5MHS-09027	WASHER, WAVE	
28	5MHS-09028	WASHER, PLATE	
29	PNFM40E-12019	SPRING	
30	15FMH-12033	NUT	
31	15FMH-09010	BOLT	
33	5MHS-09033	LEVER, SHIFT ROD	
34	5MHS-02028	BOLT, FLANGE	
35	5MHS-09035	ROD, SHIFT	
36	5MHS-03041	WASHER, PLATE	
37	15FMH-11012	PIN, COTTER	
38	5MHS-09038	CONNECTOR, SHIFT ROD	
39	5MHS-09039	CONNECTOR, SHIFT ROD	
40	15FMH-14004	BOLT, FLANGE	
41	15FMH-11037	LABEL, CAUTION 7	

## UPPER CASING & BRACKET (Дейдвуд)

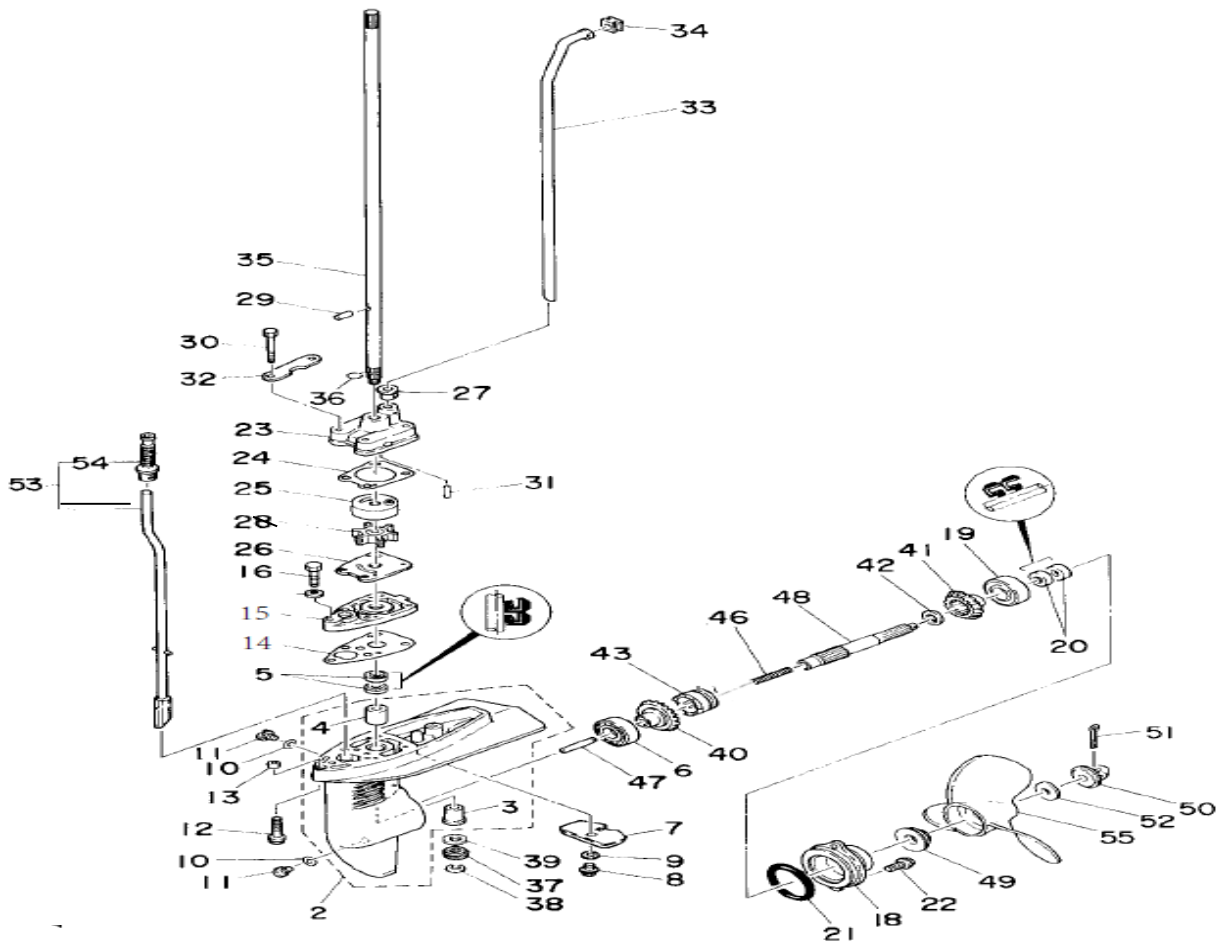


REF NO	Артикул	Наименование	Кол-во в комплекте, шт
1	5MHS-10001	CASING, UPPER	
2	15FMH-02011	PIN, DOWEL	
3	15FMH-02018	BOLT	
5	15FMH-01008	BOLT	
7	15FMH-12033	NUT	
8	15FMH-14001	NIPPLE, GREASE	
9	5MHS-10009	COVER, UPPER CASING	
10	5MHS-10010	GROMMET	
11	5MHS-10011	BRACKET, CLAMP 1	
12	5MHS-10012	BRACKET, CLAMP 2	
13	15FMH-13012	PAD, TRANSOM CLAMP	
14	3MHS-15013	SCREW, TRANSOM CLAMP	
15	15FMH-13009	HANDLE, TRANSOM CLAMP	
16	15FMH-13010	PIN	
17	5MHS-10017	BOLT	
18	PNFM40E-13025	WASHER, PLATE	
19	5MHS-10019	PLATE, CLAMP BRACKET	
20	15FMH-11008	NUT, SELF-LOCKING	



21	5MHS-10021	COLLAR	
22	5MHS-10022	BOLT	
23	5MHS-02020	WASHER, PLATE	
24	15FMH-10014	NUT, HEXAGON	
25	5MHS-10025	BRACKET, SWIVEL 1	
26	5MHS-10026	BRACKET, SWIVEL 2	
27	15FMH-14001	NIPPLE, GREASE	
28	15FMH-08007	BOLT, FLANGE	
29	5MHS-10029	LEVER, TILT STOP	
30	5MHS-10030	KNOB, TILT	
31	5MHS-10031	BRACKET, SWIVEL 3	
32	5MHS-10032	BUSHING	
33	15FMH-14004	BOLT, FLANGE	
34	5MHS-10034	SPRING, TORSION	
35	5MHS-10035	SPRING, TORSION	
36	5MHS-10036	TILT ROD ASSY	
37	15FMH-13026	PLATE, TILT LOCK	
38	15FMH-13028	PIN, SPRING	
39	5MHS-10039	PLATE, TILT LOCK	
40	5MHS-10040	SPRING, TORSION	
41	5MHS-10041	SPRING, TORSION	
42	5MHS-10042	BOLT, FLANGE	
43	5MHS-10043	BUSHING, PIVOT SHAFT	
44	5MHS-10044	BUSHING, PIVOT SHAFT	
45	5MHS-10045	BUSHING, PIVOT SHAFT	
46	5MHS-10046	BUSHING, PIVOT SHAFT	
47	5MHS-10047	PLATE, FRICTION	
48	5MHS-10048	NUT	
49	5MHS-10049	SPRING, CONICAL	
50	3MHS-15050	SCREW, FRICTION PIECE	
51	5MHS-10051	KNOB, STEERING LOCK	
52	3MHS-01026	INDICATOR 3	
53	3MHS-01026	INDICATOR 4	
54	15FMH-01004-2	RIVET	

## LOWER CASING & DRIVE (Редуктор)



REF NO	Артикул	Наименование	Кол-во в комплекте, шт
1	5MHS-11001	LOWER UNIT ASSY	
2	5MHS-11002	CASING, LOWER	
3	5MHS-11003	BUSHING, DRIVE SHAFT	
4	5MHS-11004	BUSHING, DRIVE SHAFT	
5	5MHS-11005	OIL SEAL	
6	5MHS-11006	BEARING	
7	5MHS-11007	ANODE	
8	15FMH-12028	BOLT, FLANGE	
9	15FMH-17012	WASHER, INTERNAL TOOTH	
10	15FMH-16009	GASKET	
11	15FMH-16008	PLUG, STRAIGHT SCREW	
12	15FMH-11027	BOLT, WITH WASHER	
13	5MHS-11013	COLLAR	
14	5MHS-11014	PLATE	
15	5MHS-11015	PACKING, LOWER CASING	
16	15FMH-10015	BOLT	
18	5MHS-11018	CAP, LOWER CASING	
19	5MHS-11019	BEARING	

20	5MHS-11020	OIL SEAL	
21	5MHS-11021	O-RING	
22	5MHS-02023	BOLT, FLANGE	
23	5MHS-11023	HOUSING, WATER PUMP	
24	5MHS-11024	GASKET, WATER PUMP	
25	5MHS-11025	INSERT, CARTRIDGE	
26	5MHS-11026	OUTER PLATE, CARTRIDGE	
27	3MHS-16028	DAMPER, WATER SEAL	
28	5MHS-11028	IMPELLER	
29	5MHS-11029	PIN, DOWEL	
30	5MHS-11030	BOLT	
31	5MHS-11031	PIN, DOWEL	
32	5MHS-11032	PLATE	
33	5MHS-11033	TUBE, WATER	
34	5MHS-11034	DAMPER, WATER SEAL	
35	5MHS-11035	SHAFT, DRIVE	
36	5MHS-11036	CLIP	
37	5MHS-11037	PINION (13T)	
38	5MHS-11038	CIRCLIP	
39	5MHS-11039	WASHER, PLATE	
40	5MHS-11040	GEAR 1 (27T)	
41	5MHS-11041	GEAR 2 (27T)	
42	5MHS-11042	WASHER, PLATE	
43	5MHS-11043	CLUTCH, DOG	
46	5MHS-11046	SPRING, COMPRESSION	
47	5MHS-11047	PLUNGER, SHIFT	
48	5MHS-11048	SHAFT, PROPELLER	
49	5MHS-11049	SPACER	
50	5MHS-11050	NUT, PROPELLER	
51	5MHS-11051	PIN, COTTER	
52	PNFM40E-12011	WASHER, PLATE	
53	5MHS-11053	SHIFT CAM ASSY	
54	5MHS-11054	BOOT, SHIFT ROD	
55	5MHS-11055	PROPELLER (3x7-1/2"x7"-BA)	
55		PROPELLER (3x7-1/2"x8"-BA)	